

Assembly Instructions for Garden art 1/4 Circle Etagere

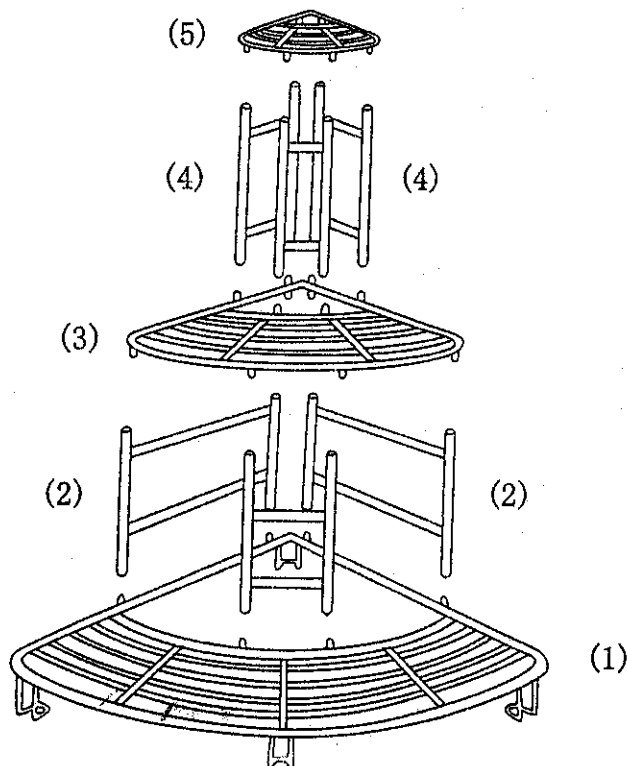
Item # 280323 White Etagere & 280330 Green Etagere

- 1) Remove all items from packaging and check to make sure you have all parts.
- 2) Attach 2 large "H" shaped legs to the rear of the bottom (largest) shelf by inserting the tabs on shelf into the holes in the legs. They should go all the way in. (See illustration)
- 3) Attach a smaller "H" shaped legs to the front portion of the bottom shelf in the same manner. (figure 1)
- 4) Align the tabs on the bottom of the middle shelf to the top holes in the "H" shaped legs and push down firmly. (See illustration)
- 5) Take the 3 remaining small "H" shaped legs and attach them to the middle shelf in the same way that you did in step 1. (See illustration)
- 6) Align the top (smallest) shelf with the holes in the legs and press down firmly to assemble.

** Note: Because of the need to press firmly in areas to ensure proper and secure assembly. It may be necessary to use a small rubber mallet to gently tap tabs into holes completely. Please use extreme caution and care when doing so as to not damage the unit, NEVER step down or place all your weight on a cross member of a leg to assist in assembly!

To clean: Simply wipe down with a wet cloth or dust frequently.

Note: Because of the difficult process of vinyl coating steel, there may at time be areas with excess vinyl coating. This is in no way considered a defect and will not affect the function or design of the item.



Part#	Description	Qty
1	Bottom Shelf	1
2	Large "H" shaped Legs	2
3	Middle Shelf	1
4	Small "H" Shaped Legs	4
5	Top Shelf	1

GardenArt®

Assembly Instructions for Garden art Rectangular Etagere

Item # 280347 White Etagere & 280354 Green Etagere

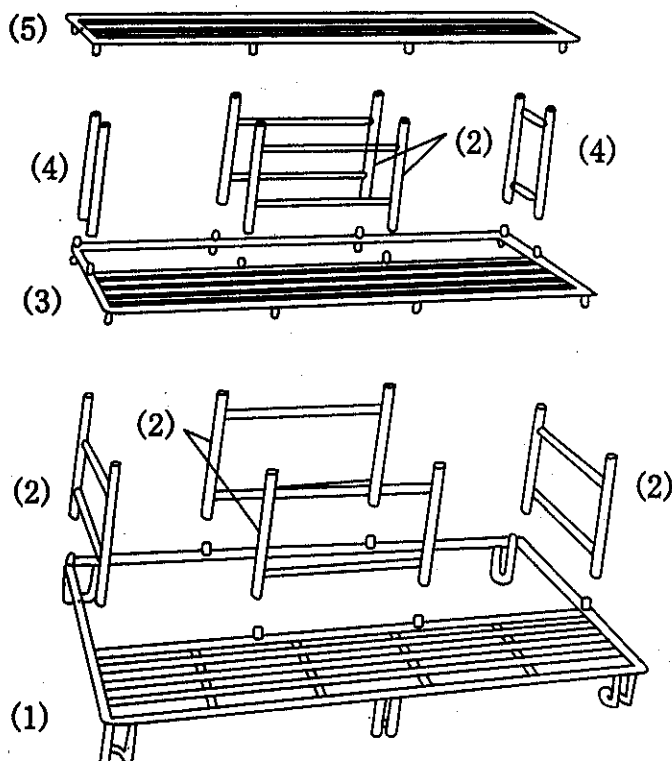
- 1) Remove all items from packaging and check to make sure you have all parts.
- 2) Attach 4 large "H" shaped legs to the bottom (largest) shelf by inserting the tabs on shelf into the holes in the legs. They should go all the way in. (See illustration)
- 3) Align the tabs on the bottom of the middle shelf to the top holes in the "H" shaped legs and push down firmly. (See illustration)
- 4) Take the 2 remaining large "H" shaped legs and attach them in the front and back of the middle shelf. (See illustration)
- 5) Take the 2 small "H" shaped legs and attach them to the sides of the middle shelf. (see illustration)
- 6) Align the top (smallest) shelf with the holes in the legs and press down firmly to assemble.

**** Note:** Because of the need to press firmly in areas to ensure proper and secure assembly. It may be necessary to use a small rubber mallet to gently tap tabs into holes completely. Please use extreme caution and care when doing so as to not damage the unit, NEVER step down or place all your weight on a cross member of a leg to assist in assembly!

To clean: Simply wipe down with a wet cloth or dust frequently.

Note: Because of the difficult process of vinyl coating steel, there may at time be areas with excess vinyl coating. This is in no way considered a defect and will not affect the function or design of the item.

Part#	Description	Qty
1	Bottom Shelf	1
2	Large "H" shaped Legs	6
3	Middle Shelf	1
4	Small "H" Shaped Legs	2
5	Top Shelf	1



GardenArt®

A Division of UniFlame, Inc, 1817N. Kenosha Rd., Zion. IL 60099