

OPERATING INSTRUCTIONS & PARTS MANUAL



WALL MOUNTED OSCILLATING FANS

12" (30.4 cm) MODEL 4C630N/9012N
16" (40.6 cm) MODEL 4C631P/9016P

READ AND SAVE THESE INSTRUCTIONS

READ CAREFULLY BEFORE ATTEMPTING TO ASSEMBLE, INSTALL, OPERATE OR MAINTAIN THE PRODUCT DESCRIBED. PROTECT YOURSELF AND OTHERS BY OBSERVING ALL SAFETY INFORMATION. FAILURE TO COMPLY WITH INSTRUCTIONS COULD RESULT IN PERSONAL INJURY AND/OR PROPERTY DAMAGE!

RETAIN INSTRUCTIONS FOR FUTURE REFERENCE.

DESCRIPTION

AirKing 12" (30.4 cm) and 16" (40.6 cm) Wall Mounted Oscillating Fans offer pull cord speed control, variable oscillation, a permanent split capacitor motor and OSHA-complying front steel mesh grill with a 6 ft (1.8m) 18/3 cord set.

SPECIFICATIONS

Motor 120V, 60 Hz (12", 30.4 cm)
120V, 60 Hz (16", 40.6 cm)
Blade diameter 12" (30.4 cm) Model 4C630N/9012N
16" (40.6 cm) Model 4C631P/9016P
Speeds 3
Control Pull Cord
Air flow distribution 90°
Approvals UL Listed. Close mesh Fan Guard
meets OSHA requirements.

MODEL	4C630N/9012N			4C631P/9016P		
	HIGH	MED	LOW	HIGH	MED	LOW
CFM	930	780	620	1710	1500	1330
M ³ /s	0.44	0.37	0.29	0.80	0.71	0.63
RPM	1450	1300	1090	1545	1394	1244
Amps	0.40	0.30	0.27	0.71	0.54	0.48
Watts	39	35	32	77	65	57
dBA	45	41	36	53	49	44

GENERAL SAFETY INFORMATION

When using electrical appliances, basic precautions should always be followed to reduce the risk of fire, electric shock and injury to person, including the following:

1. Read all instructions before using Fan.
 2. Make certain that the power source conforms to the electrical requirements of the Fan.
 3. Use this Fan only as described in this manual. Any other use not recommended by the manufacturer may cause fire, electrical shock, or injury to persons.
 4. Unplug power cord before installing, servicing, or moving the Fan.
- WARNING: DO NOT DEPEND UPON THE ON-OFF SWITCH AS THE SOLE MEANS OF DISCONNECTING POWER WHEN INSTALLING OR SERVICING THE FAN. ALWAYS UNPLUG THE POWER CORD.**
5. This Fan must NOT be used in potentially dangerous locations such as flammable, explosive, chemical-laden or wet atmospheres.
 6. DO NOT use Fan in or near a window. Rain may create an electrical hazard.
 7. The power cord is equipped with a three-prong grounded plug that must be inserted into a matching receptacle. Under no

circumstances must the grounding prong be cut off the plug. Where a two-prong wall receptacle is encountered, it must be replaced with a properly grounded three-prong receptacle installed in accordance with the National Electrical Code (NEC) and all applicable local codes and ordinances. This work must be done only by a qualified electrician, using copper wire only.

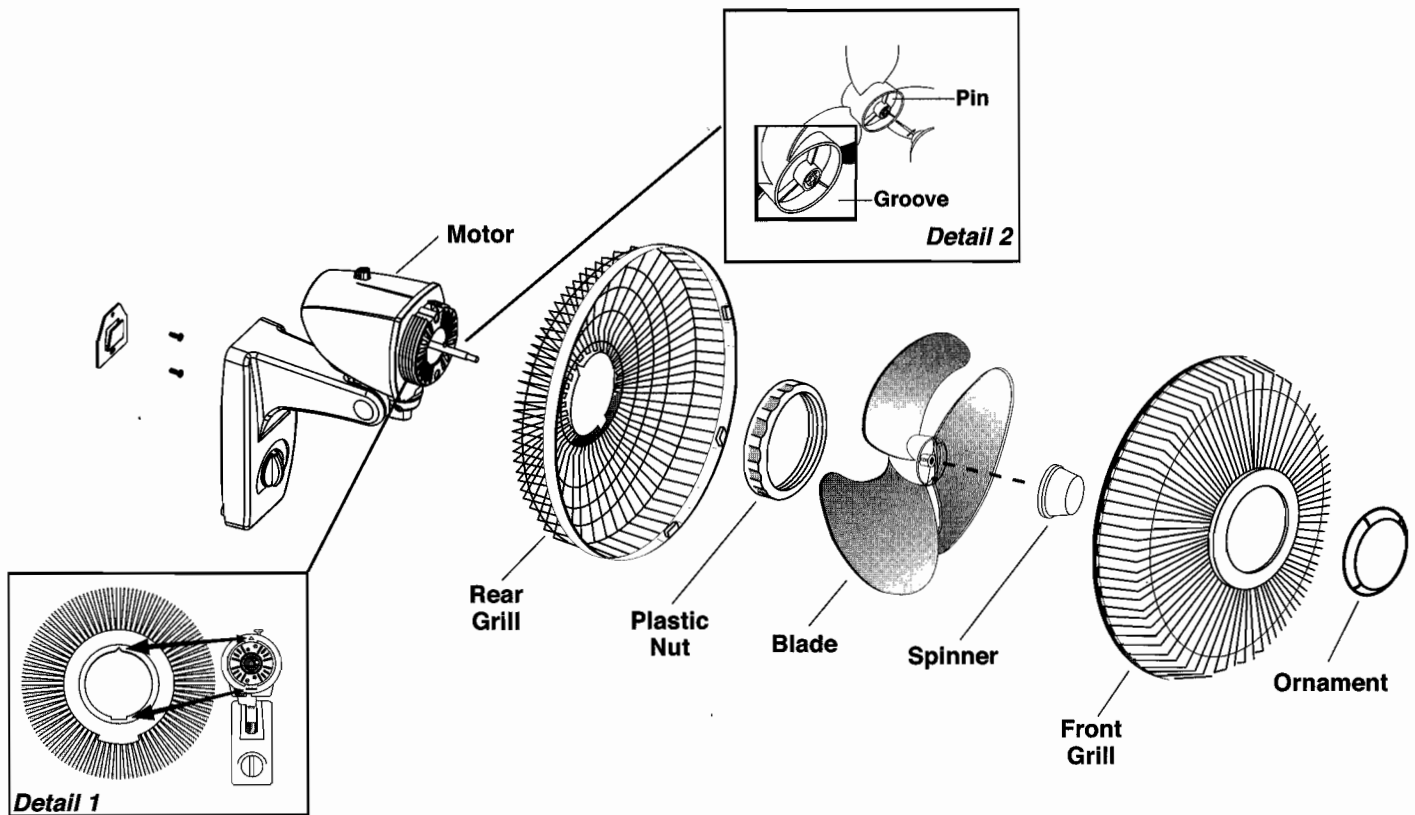
WARNING: USE OF A THREE-PRONG TO TWO-PRONG ADAPTER IS NOT RECOMMENDED. IMPROPER CONNECTION MAY CREATE THE RISK OF ELECTROCUTION. USE OF SUCH ADAPTERS IS NOT PERMITTED IN CANADA. WARNING: THIS PLUG IS A SAFETY FEATURE. TO REDUCE THE RISK OF FIRE, ELECTRIC SHOCK AND PERSONAL INJURY, DO NOT REMOVE, REPLACE, REPAIR OR TAMPER WITH THE ORIGINALLY SUPPLIED PLUG. IF THE FAN DOES NOT FUNCTION PROPERLY, IT MAY BE DUE TO THE SAFETY DEVICE INCORPORATED IN THIS PLUG. RETURN TO AN AUTHORIZED SERVICE CENTER OR CALL 800-233-0268, MONDAY - FRIDAY, BETWEEN 8:30 AM AND 4:00 PM EST. IF THE PLUG WARNING LABEL IS MISSING OR DAMAGED, CALL THE TOLL FREE NUMBER FOR A REPLACEMENT LABEL.

8. Where possible, avoid the use of extension cords. If they must be used, minimize the risk of overheating by ensuring that they are UL listed. Never use a single extension cord to operate more than one Fan.
9. Do not operate any Fan with a damaged cord or plug or after the Fan malfunctions, has been dropped or damaged in any manner. Return Fan to authorized service facility for examination, electrical or mechanical adjustment or repair.
10. Do not insert or allow fingers or foreign objects to enter any ventilation or exhaust opening as it may cause an electric shock or fire, or damage the Fan. Do not block or tamper with the Fan in any manner while it is in operation.
11. Always place the Fan on a stable, flat, level surface when operating, to avoid the chance of the Fan overturning. Locate the Power Cord so the Fan or other objects are not resting on it. Do not run Power Cord under carpeting. Do not cover Power Cord with throw rugs, runners, or the like. Arrange Power Cord away from room traffic and where it will not be tripped over.
12. This Fan is not intended for use in wet or damp locations. Never locate a Fan where it may fall into a bathtub or other water container.
13. Do not use Fan outdoors.

WARNING: REDUCE THE RISK OF FIRE OR ELECTRIC SHOCK – DO NOT USE THIS FAN WITH ANY SOLID STATE SPEED CONTROL DEVICES.

SAVE THESE INSTRUCTIONS

MODEL 4C630N/9012N and 4C631P/9016P



ASSEMBLY (Figure 1)

1. Put **Rear Grill** on **Motor** by aligning the tab on the **Rear Grill** with the groove on the **Motor**. (*Detail 1*)
2. Fully seat **Rear Grill** on **Motor** and secure with **Plastic Nut** turning Clockwise.
3. Slide **Blade** onto **Motor Shaft**. (Align groove on blade hub with pin on motor shaft.) (*Detail 2*)
4. To secure **Blade**, screw **Spinner** onto Shaft **Counter Clockwise** until tight on **Blade** hub.
5. Snap **Front Grill** into place.



INSTALLATION

1. Locate a stud behind wall. If stud cannot be found, special types of mounting anchors are available at your hardware store.
2. Secure Mounting Plate to wall with Screws supplied (#8 X 1 1/4" Wood Screws). Make sure flange is pointing up as shown in exploded view above.
3. Fan is now ready to hang on Mounting Plate.

OPERATION

VARIABLE OSCILLATION: Pull oscillation knob on the rear of the motor up. Turn fan head to left, right, or straight ahead. Push oscillation knob down and fan will oscillate about the set angle.

VERTICLE ANGLE: To adjust vertical angle, tilt fan head up or down, as desired.

SPEED: Speed is controlled by a pull-cord switch. The speed setting is shown by switch knob on front cover. (Off-Low-Med-High-Off)

POWER SUPPLY CORD: Plug power supply cord into a wall outlet (AC 120Volts, 60 Hz).

MAINTENANCE

WARNING: ALWAYS UNPLUG THE CORD BEFORE MOVING OR SERVICING THE FAN.

WARNING: DO NOT IMMERSE FAN IN WATER!

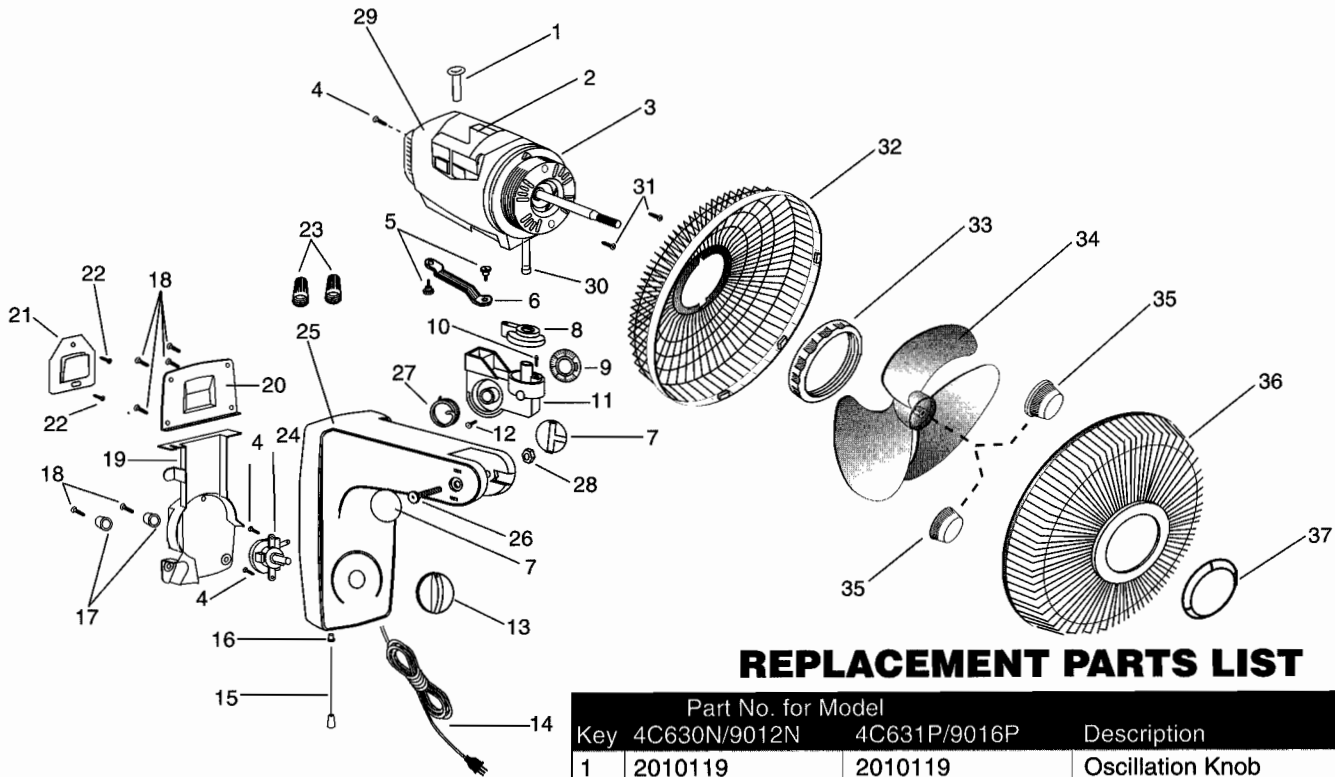
CLEANING: Use a soft cloth moistened with a mild soap solution, such as liquid dish washing detergent. Dry ALL PARTS COMPLETELY before reassembling. After any maintenance or servicing, COMPLETELY REASSEMBLE unit as described in this instruction manual before reconnecting to the power supply.

CAUTION: Do not use gasoline, benzine, thinner, harsh cleaners, etc. as they will damage the Fan. NEVER use ALCOHOL OR SOLVENTS.

LUBRICATION: Precision bearings are sealed at the factory for life and will not require any further lubrication.

STORAGE: Store the Fan, with these instructions, in a cool, dry place.

MODEL 4C630N/9012N and 4C631P/9016P



REPLACEMENT PARTS LIST

Key	Part No. for Model		Description	Qty.
	4C630N/9012N	4C631P/9016P		
1	2010119	2010119	Oscillation Knob	1
2	02030062GL	02030066GL	Motor	1
3	2010665	2010665	Motor Cover (Front)	1
4	02090040	02090040	Cover Screw #7 x 7/16" PTH Type B	3
5	02090140	02090140	Link Screw	2
6	2010276	2010276	Link	1
7	02010548A	02010548A	H.C. Buttons	2
8	02010163	02010163	Neck Piece Cover	1
9	02010162B	02010162B	Ratchet Plate	1
10	2010165	2010165	Double Osc. Ball w/Spring	1
11	2010252	2010252	Neck Piece	1
12	02090051	02090051	Screw #7 x .390 PTH	1
13	2010131	2010131	Switch Knob (Rotary Style)	1
14	02050009AWFPC	02050009AWFPC	Cord Set	1
15	02090744	02090744	Pendant	1
16	2090539	2090539	Pull Cord Bushing	1
17	02090272	02090272	Rubber Foot	2
18	02090045A	02090045A	Screw #8 x 3/4" PPH Type 25	6
19	2010552	2010552	Switch Wire Cover	1
20	2060202	2060202	Rear Hanging Plate	1
21	2060316	2060316	Mounting Plate	1
22	2090003	2090003	Screw #8 x 1-1/4" Wood Screw	2
23	2090529	2090529	Wire Nut (Ground/Neutral)	2
24	02055047	02055047	Switch w/Pull Cord	1
25	2010512P	2010512P	Body	1
26	02090521A	02090521A	Elevation Shaft	1
27	02090518	02090518	Elevation Spring	1
28	02090033	02090033	Hex Nut	1
29	2010661	2010661	Motor Cover (Rear)	1
30	07091657	07091657	Motor Spindle	1
31	02090060	02090060	Screw #7 x .8 PPH ZP Type B	2
32	2011212	2011200M	Plastic Rear Grille	1
33	2010359	2010359	Grill Nut	1
34	2010008	2011013	Fan Blade	1
35	2010058	2010059	Spinner	1
36	02096217	02096214I	Front Grille	1
37	02010381A	02010381A	Grill Ornament	1